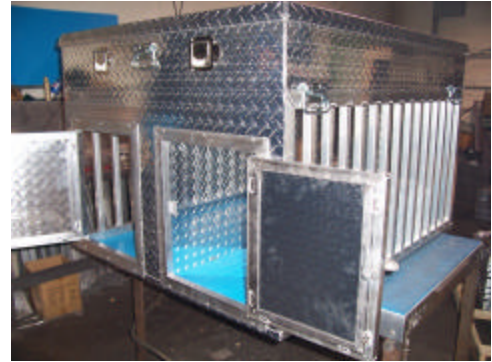


SUMMER BOXES

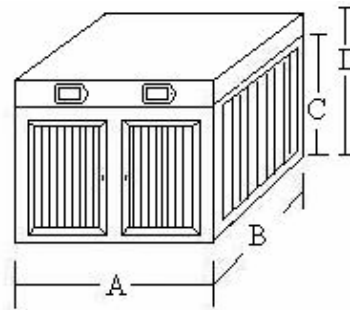
Open Air Box Features

- Lightweight aluminum construction.
- Available with or without locking top storage unit.
- Locking "T" handles for security and easy open doors.
- Insulation board lines box for easy clean up.
- Solid center divider.
- Strong aluminum tubing on sidewalls
- Complete ventilation for hot summer months.
- No sharp edges for your dog's safety



Summer Dog Boxes with Top Storage

Part #	A	B	C	D	Price
SB3836T	38"	36"	18"	30"	\$644.87
SB4846T	48"	46"	18"	30"	\$698.00
SB4836T	48"	36"	18"	30"	\$644.87
SB3846T	38"	46"	18"	30"	\$644.87



Timber Chopper Kennels

Exclusive Virginia Distributor
 (804) 590-3400
www.timberchopper.com
wayne@timberchopper.com
 12830 River Road
 Chesterfield, VA 23838

